

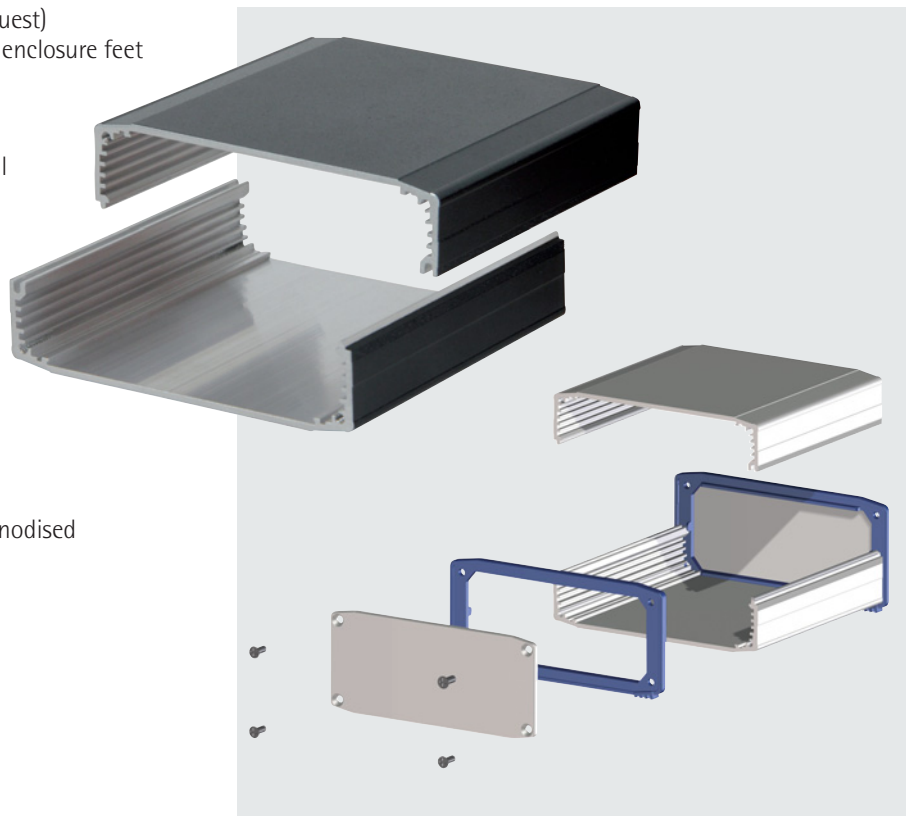


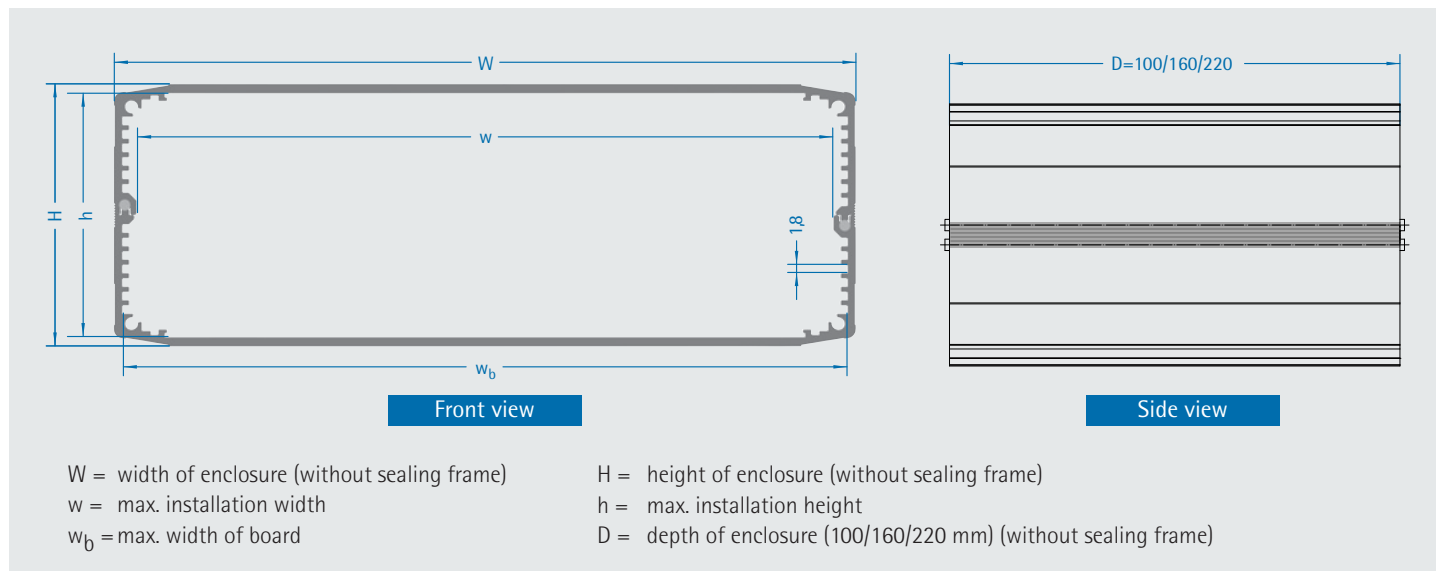
- ▶ double-leaf aluminium profile enclosure
- ▶ 5 sizes and 3 depths
- ▶ for various board sizes
- ▶ mounting plates for customised assembly
- ▶ IP 65 thanks to coloured sealing frames
- ▶ front and rear panels can be customised

- available in 5 sizes and 3 depths (other sizes on request)
- sealing frame in 5 colours with integrated anti-slip enclosure feet between enclosure and front / rear panel
- suitable for various board sizes (e.g. euro boards, Embedded NUC, SMARC, Pico-ITX and others)
- horizontal or vertical mounting plates for individual assembly can be inserted
- front and rear panel can be customised (cut-outs, digital or silkscreen printing, press-in contacts)
- customised milling possible on flat surfaces of the profiles
- conductive interior, powder coated on the outside
- IP 65 with mounted sealing frame

Material:

Enclosure: aluminium profile, RAL 9005 jet black
 Front/rear panel: aluminium, RAL 9005 jet black or anodised
 Sealing frame: plastic (5 colours available)
 Mounting plate: aluminium
 Wall mounting: aluminium
 Bracket for top hat rail: PA6 GF 30 black (UL 94 V-0)





Accessories

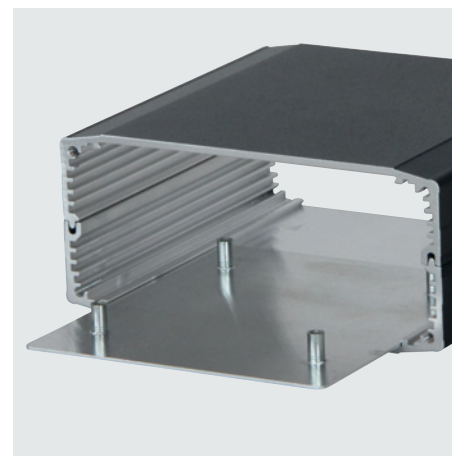
Wall mounting bracket



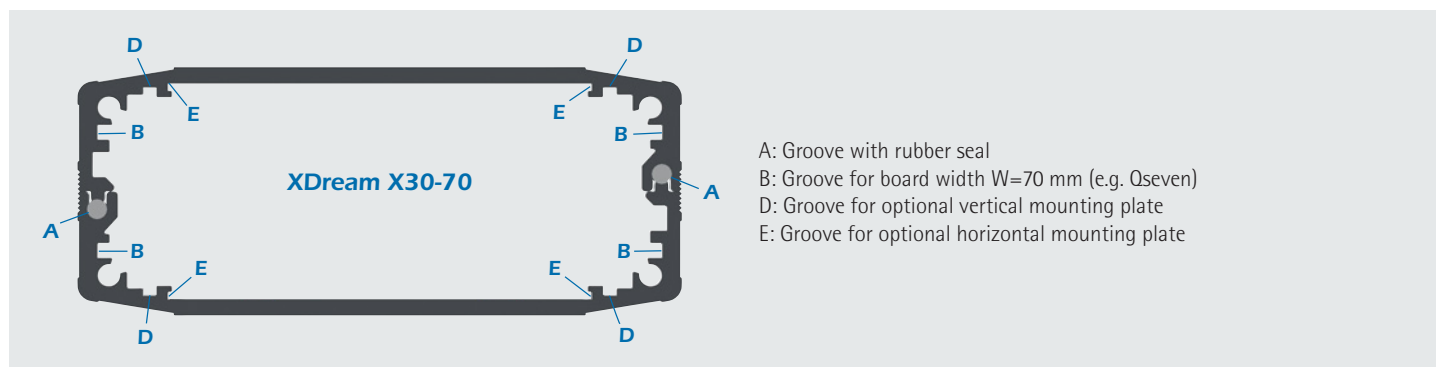
Mounting set for top hat rail



Horizontal mounting plate



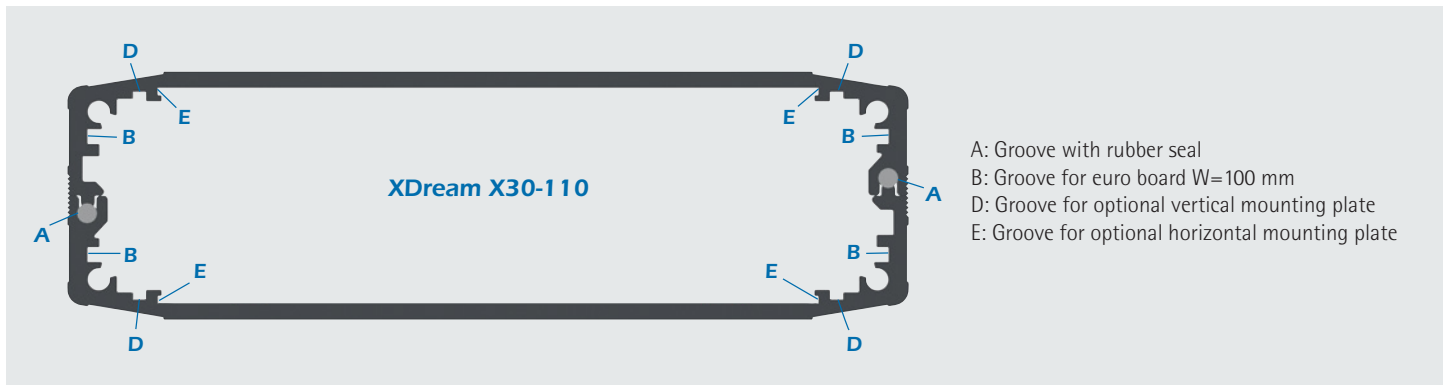
Order data



H mm	h mm	W mm	w mm	wb mm	D mm	Enclosure profile (set)	Front / rear panel		Wall mounting bracket anodised (1pc)	Mounting set for top hat rail	Horizontal mounting plate
							anodised	black			
31,2	27	75,8	65,5	70,6	100	421-000-20	421-000-21	421-000-22	421-000-28	421-000-23	421-000-24
					160	421-001-20					
					220	421-002-20					

Sealing frame				
■ blue	■ green	■ yellow	■ red	■ black
671-273	671-273-01	671-273-02	671-273-03	671-273-04

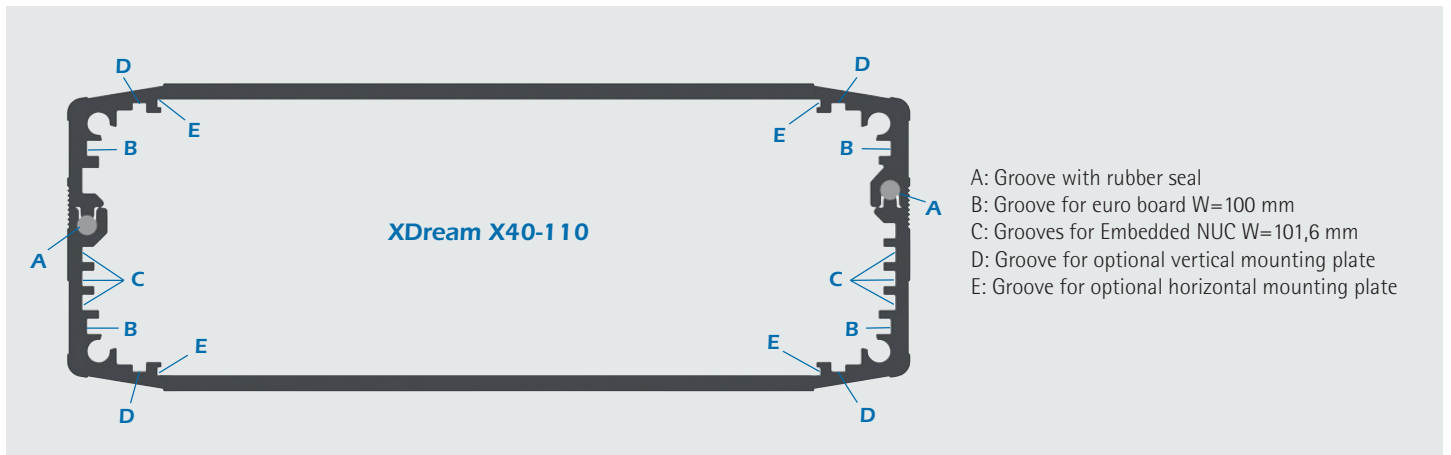
Screw set (100 pc.)	
● silver	● black
630-379	630-379-01



H mm	h mm	W mm	w mm	w _b mm	D mm	Enclosure profile (set)	Front / rear panel		Wall mounting bracket anodised (1pc)	Mounting set for top hat rail	Horizontal mounting plate
							anodised	black			
31,2	27	105,8	95,5	100,6	100	421-000-40	421-000-41	421-000-42	421-000-08	421-000-43	421-000-04
					160	421-001-40					
					220	421-002-40					

Sealing frame				
■ blue	■ green	■ yellow	■ red	■ black
671-272	671-272-01	671-272-02	671-272-03	671-272-04

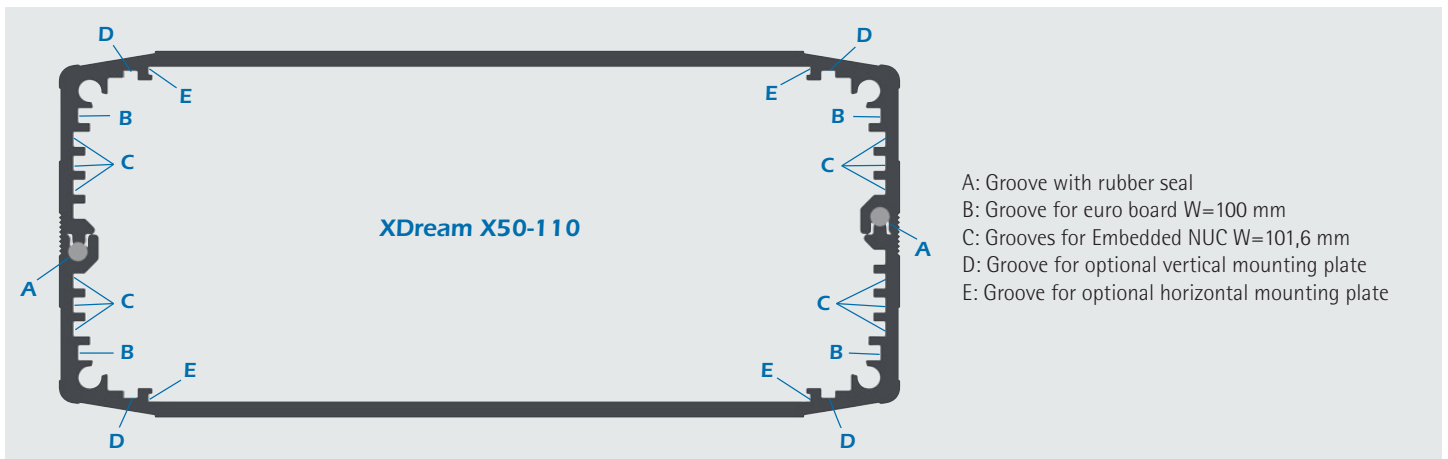
Screw set (100 pc.)	
● silver	● black
630-379	630-379-01



H mm	h mm	W mm	w mm	w _b mm	D mm	Enclosure profile (set)	Front / rear panel		Wall mounting bracket anodised (1pc)	Mounting set for top hat rail	Horizontal mounting plate
							anodised	black			
38,7	34,5	105,8	95,5	100,6 101,8	100	421-000-30	421-000-31	421-000-32	421-000-08	421-000-33	421-000-04
					160	421-001-30					
					220	421-002-30					

Sealing frame				
■ blue	■ green	■ yellow	■ red	■ black
671-274	671-274-01	671-274-02	671-274-03	671-274-04

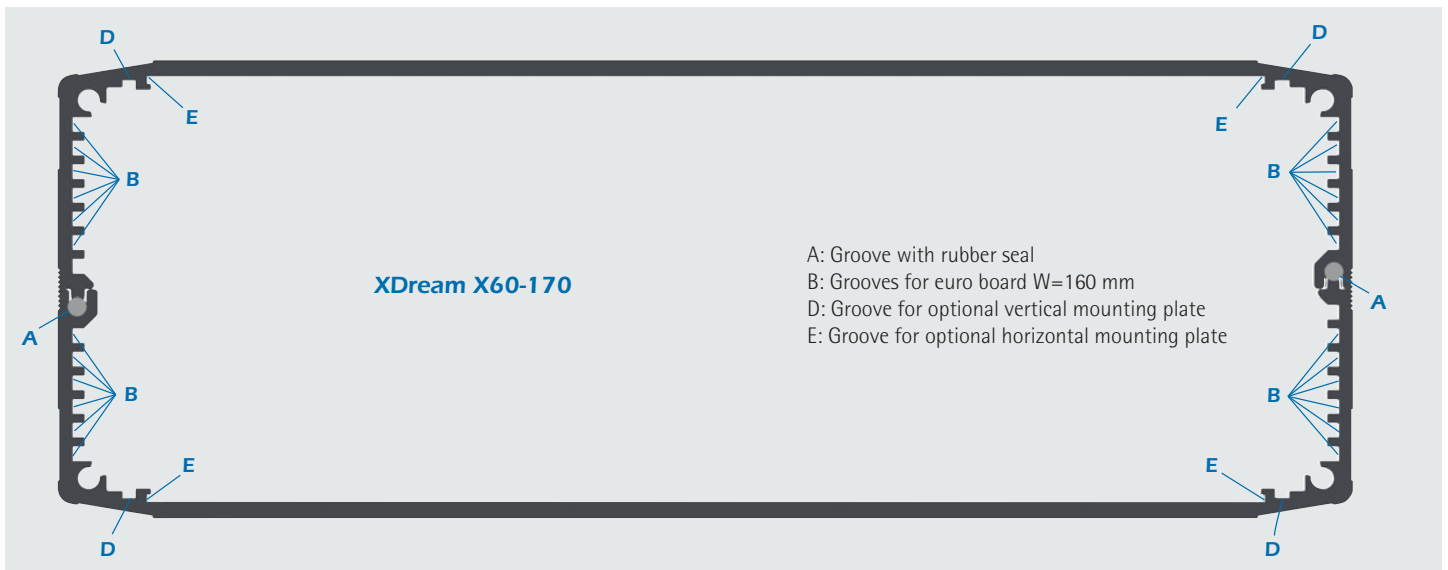
Screw set (100 pc.)	
● silver	● black
630-379	630-379-01



H mm	h mm	W mm	w mm	w _b mm	D mm	Enclosure profile (set)	Front / rear panel		Wall mounting bracket anodised (1pc)	Mounting set for top hat rail	Horizontal mounting plate
							anodised	black			
46,3	42	105,8	95,5	100,6 101,8	100	421-000-00	421-000-01	421-000-02	421-000-08	421-000-03	421-000-04
					160	421-001-00					
					220	421-002-00					

Sealing frame				
blue	green	yellow	red	black
671-270	671-270-01	671-270-02	671-270-03	671-270-04

Screw set (100 pc.)	
silver	black
630-379	630-379-01



H mm	h mm	W mm	w mm	w _b mm	D mm	Enclosure profile (set)	Front / rear panel		Wall mounting bracket anodised (1pc)	Mounting set for top hat rail	Horizontal mounting plate
							anodised	black			
58,2	54	164,6	154,3	160,6	100	421-000-50	421-000-51	421-000-52	421-000-58	421-000-53	421-000-54
					160	421-001-50					
					220	421-002-50					

Sealing frame				
blue	green	yellow	red	black
671-271	671-271-01	671-271-02	671-271-03	671-271-04

Screw set (100 pc.)	
silver	black
630-379	630-379-01

apra-norm Elektromechanik GmbH

Bei der untersten Mühle 5 · 54552 Mehren/Vulkaneifel
Tel.: +49 (0) 65 92 20 4-0 · sales@apra.de · www.apra.de

Subject to technical modification

09.03.2017

145



... the perfect shell for valuable electronics